

SECURITON © Copyright by Securiton	ARB 71		T 137 849 E			1 / 2
SecuriPro® Data sheet Alarm Routing Board (CH) ARB 71	Version	Date	Ind.	Mod. No	Code	Approved by
	First issue	30.06.96	---		Sb / kj	ESD / Ku
	Current	10.12.01	c	Art-Nr.	Ku / ksa	Print
	Ref. Doc.	T 137 849				Securiton / Rd

Description

Sector:	EMA / BMA
Participant:	SecuriLan®
Purpose:	Actuation for the remote alarm (CH, global)
Applicability:	CH and global
Component of:	SecuriLan®

With the ARB 71 board, 4 remote alarm outputs can be controlled via potential-free relay changeover contacts. In addition, 2 control outputs (potential-free relay changeover contacts) are present for controlling remote alarm devices (FA). 3 fault inputs are available for messages from remote alarm devices. The ARB 71 can additionally transmit an emergency alarm by means of the emergency alarm path, emergency alarm FA 1 or 2, emergency fault. FA 3 are programmable via jumper. A relay, for general monitoring, is always energized in the quiescent condition. A maintenance switch and 4 LEDs are present for maintenance work. For SecuriPro® EMA systems, an input for an external monitoring contact / cover contact is additionally available. 3 additional inputs are available for the monitoring of a separate current supply. The outputs can be programmed and linked freely via the software.

Mounting / Installation

The ARB 71 is mounted either directly in the application (MCU 211, in the remote alarm device, etc.) or surface-mounted or flush-mounted in a commercial installation socket. Minimum internal dimensions 16 x 10 x 4 cm. The cover contact can be connected to the ARB 71 via the solder lugs.

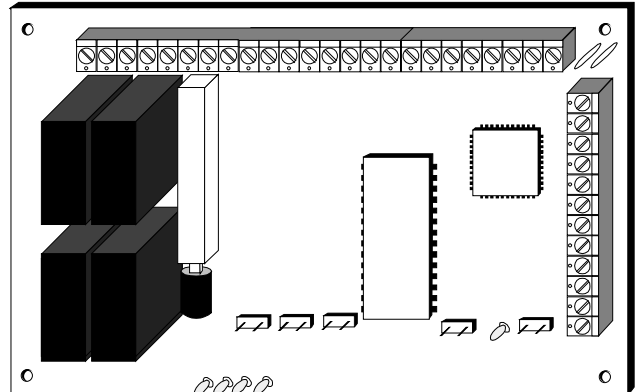


Fig. 1 ARB 71

Connection

The installation cables of the ARB 71 are connected via the pluggable terminal blocks.

The following terminal blocks are present:

- Right side; 12 terminals for SecuriLan® and emergency alarm path as also inputs for monitoring a separate current supply.
- Top; 24 terminals for remote alarm relay contacts and general inputs and outputs
- Bottom; 2 solder lugs for an additional cover contact



Safety information

The ARB 71 may only be used in countries in which the ARB 71 meets the legal requirements.



Danger

For actuation of remote alarm devices, country-specific regulations and guidelines must be observed.

Technical data for ARB 71

Operating voltage range (effective 24 VDC)	20 - 30	V-DC
Operating current (constant at 24 VDC)	50	mA
Operating current (max. at alarm) without remote alarm device	60	mA
Fuse ARB with polyswitch (cold conductor)	250	mA
Fuse 24 V output Cl. 6 with polyswitch (cold conductor)	900	mA
Relay contact outputs (current) Bacom CH tested	6	A
Relay contact outputs (voltage) Bacom CH tested	250	VDC
Ambient humidity acc. IEC 721-3-3 / EN 60721-3-3 (1995)	3K5 / 3Z1	Class
Dimensions of pc-board L x W x D	approx. 160 x 100 x 40	mm
Pluggable terminals	1,5	mm ²
Weight	300	gr

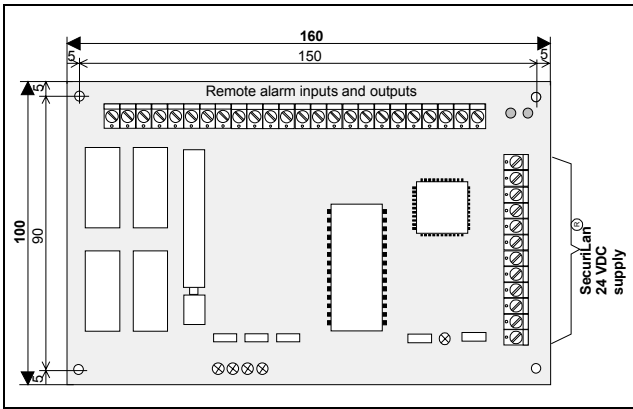


Fig. 2 Dimensioned diagram of ARB 71 (in mm)

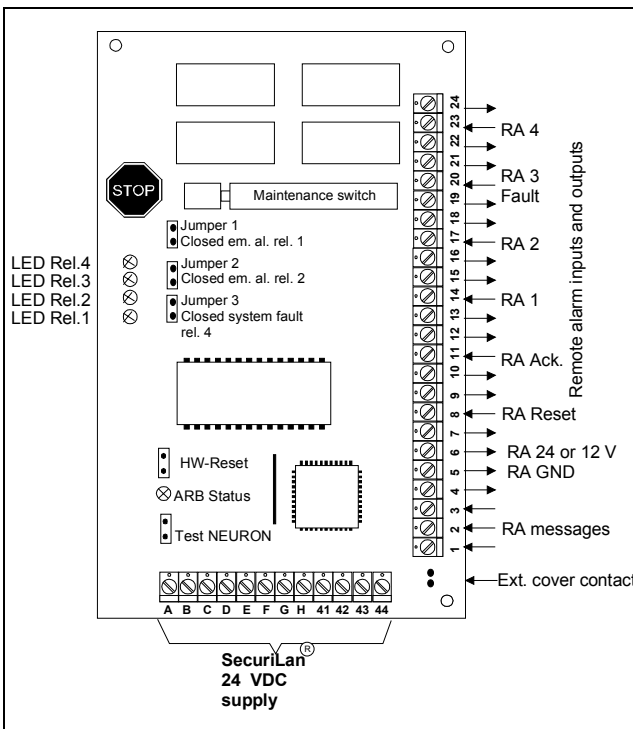


Fig. 3 Connection points for ARB 71

Danger information

STOP Maintenance switch
On operation of the maintenance switch, for maintenance, suitable measures must be taken to ensure that the switch was reset to the operating state after the maintenance (visual inspection, remote alarm test).

Warning Safety information
In the case of screened installation cables, an "earth" connection may be required for equipotential bonding.

SecuriLan® and emergency alarm path connections		
Terminal	Description	Signal
A	GND	- = Cl. 44
B	Supply (24 V)	20 - 30 VDC
C	EARTH	0
D	Cable screen	
E	SecuriLan®	A
F	SecuriLan®	B
G	Emer. alarm path	A
H	Emer. alarm path	B
41	Separate supply fault	3- 30 V +
42	Sep. supply fault accu	3- 30 V +
43	Sep. supply fault short to earth	3- 30 V +
44	Sep. supply fault GND	- = Cl. A

Remote alarm input and output connections		
Terminal	Description	Signal
1	Input 1 EK loop	3 - 30 V +
2	Input 2 RA line fault	3 - 30 V +
3	Input 3 RA fault	3 - 30 V +
4	GND for inputs 1-3	-
5	Output GND	-
6	Output supply	20 - 30 VDC
7	RA acknowledge rel.	R
8	RA acknowledge rel.	RA
9	RA acknowledge rel.	A
10	RA reset rel.	R
11	RA reset rel.	RA
12	RA reset rel.	A
13	RA rel. 1	R
14	RA rel. 1	RA
15	RA rel. 1	A
16	RA rel. 2	R
17	RA rel. 2	RA
18	RA rel. 2	A
19	RA rel. 3 (active)	R (A)
20	RA rel. 3 (active)	RA
21	RA rel. 3 (active)	A (R)
22	RA rel. 4	R
23	RA rel. 4	RA
24	RA rel. 4	A

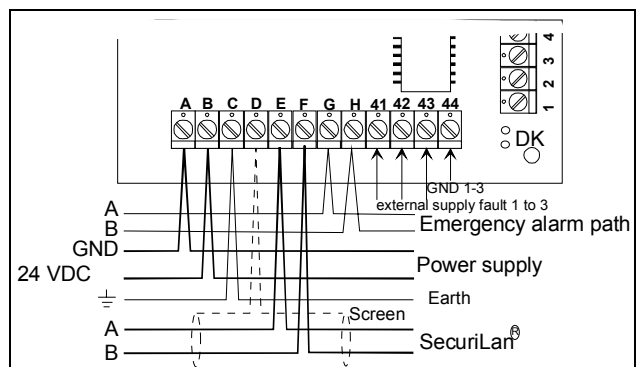


Fig. 4 Connection of SecuriLan® and emerg. alarm path

Part numbers and spare parts

Type / Part / Component	Part No. HEKATRON	Part No. SECURITON
ARB 71 with distance holder	4300456-3	115.221 236
Spare ARB 71	94300439	115.609 501